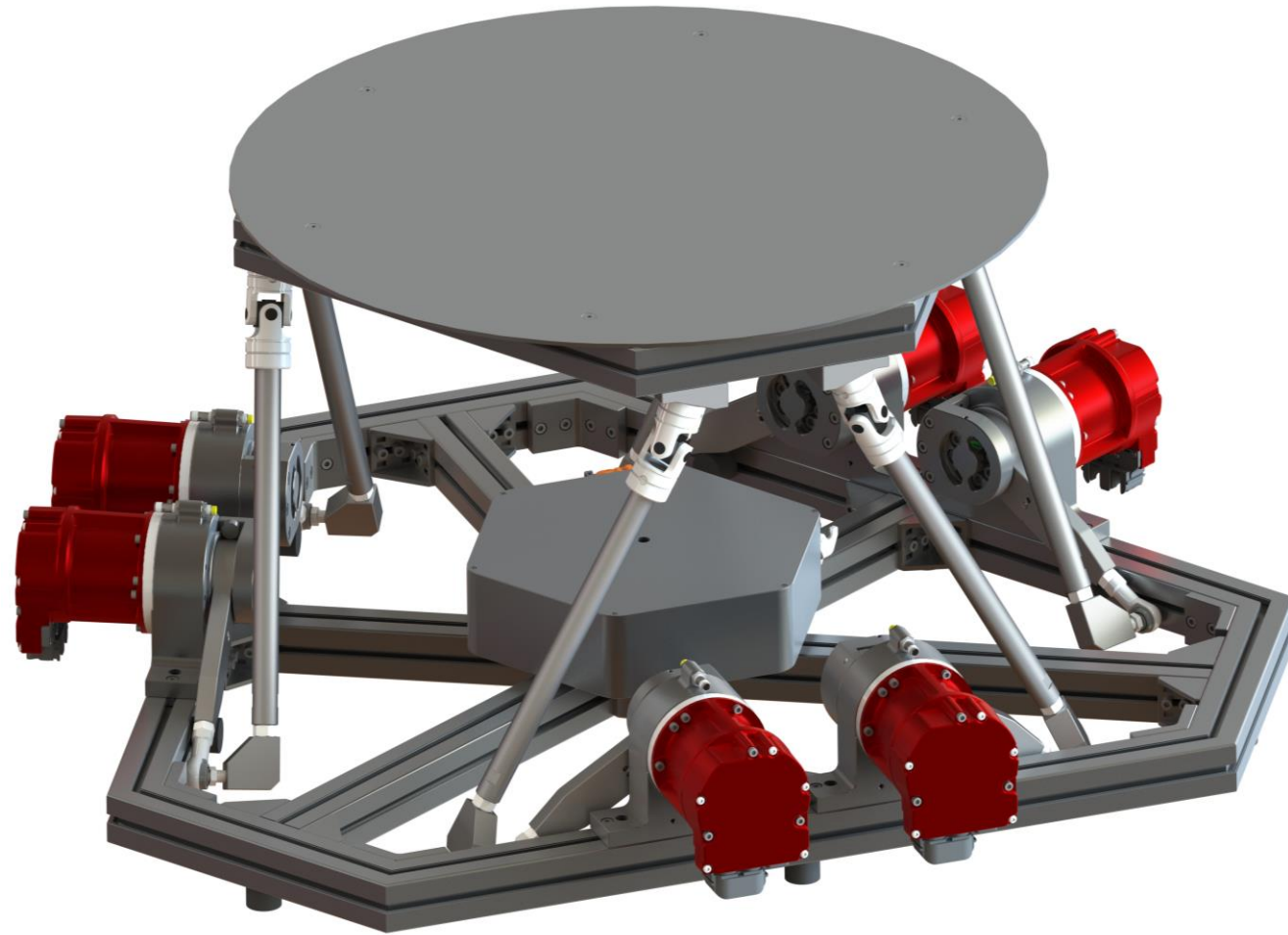


ROBOTICS

GOUGH-STEWART PLATFORM



ROBOTICS CONCEPT STUDY BY SONCEBOZ

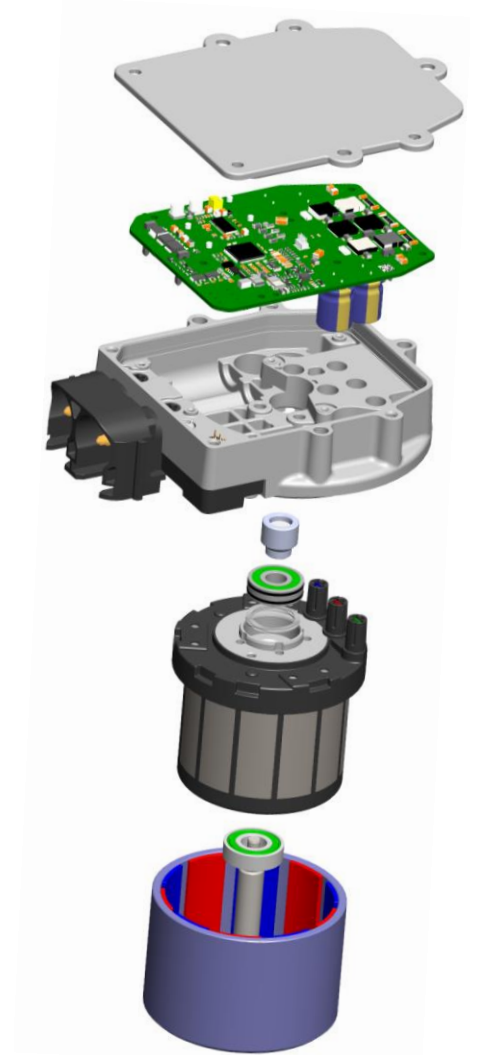
6x CPM90 48 V motors turning at 4.5 krpm

Integrated CAN bus controller & emergency brakes

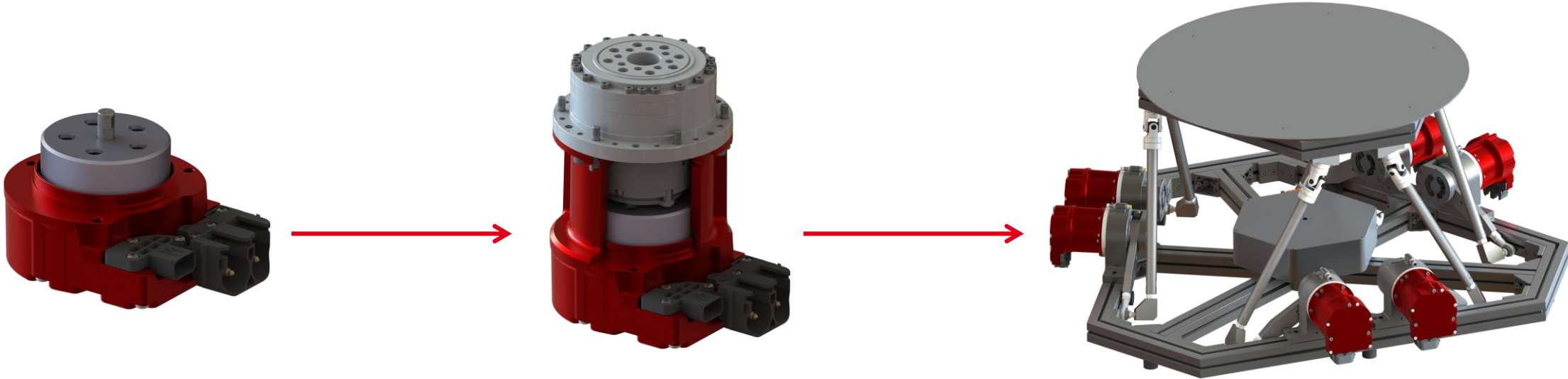
6x Harmonic drive gearbox with 600 Nm peak output torque

Complete multi-axis synchronized control

Load charge: 200 kg dynamic, 600 kg max.



ROBOTICS CONCEPT STUDY BY SONCEBOZ



COMPACT POWER CPM90 BLDC MOTOR

HIGH POWER FOR APPLICATIONS UP TO 48 V

Max speed : 4'500 [rpm]

Typical Torque : 7 [Nm]

Mechanical power : 4 [kW]



MOTOR OVERVIEW

- High efficiency
- High power density
- Fully integrated control unit

ADVANTAGES

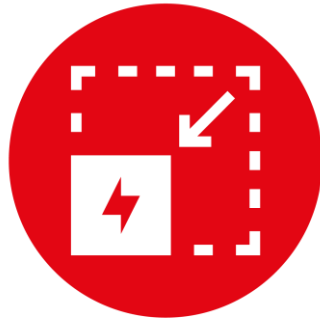
- Reduced energy requirements
- Compact design for mobile applications
- Standalone and configurable motor

TYPICAL APPLICATIONS

- Electrification of auxiliaries
- ePumps
- eCompressors
- eFans
- eMobility

LOCATION OF CPM90 MOTORS





**HIGH POWER
DENSITY**



SMART



**ENERGY
EFFICIENCY**