

## ▶ Chart drives

830

- Freezer tested - 40° F
- UL CERTIFIED SAFETY US-CA
- UL File Number : E49851

This standard chart drive offers accuracy and reliability for precision measurements. The quartz movement concept provides robustness, and it was design to operate into a temperature range of -40° F up to +140° F. The universal mounting plate makes it easy to install into all commonly use recorders.

### ▶ Main Features

#### • Concept

In precise combination of Fast-Slow drive and corresponding Fast-Slow charts, a greatly enhanced flow pattern will be registered in the test sector of 90°.

#### • Application

The full potential of the Fast-Slow idea is recognized at measurement points where the expected chart pattern is a wide, solid band or narrow, high spikes.

#### • Benefits

Advantages are identified such as improved chart reading accuracy, manpower savings and elimination of separate test charts.

### ▶ Technical data

Standard Fast/Slow battery chart drives			
Part N°	Mounting plate type	Output shaft	Approvals
830R001	A	¼" Dia. CCW	UL US-CA

## ▶ Characteristics

Advantages				
<b>Rotating speeds</b>	Test: Regular: Test Fast: Slow: Fast/Slow:	60 min 1 d - 7 d - 8 d - 31 d 90 min - 24 hr 6 hr - 7 d 24 hr - 7 d 24 hr - 16 d	6 hr - 8 d 24 hr - 8 d 24 hr - 31 d	
<b>Rotation</b>	Counter clock wise			
<b>Accuracy</b>	Quartz controlled			
<b>Function indicator</b>	Pulsating GREEN LED: all fast speeds Pulsating RED LED: all slow speeds and single speeds			
<b>Torque</b>	25 IN-OZ at all speeds			
<b>Operating temperature range</b>	-40° F to 140° F			
<b>Corrosion protection</b>	Sealed with gaskets			
<b>Power supply</b>	1.5 V Alkaline "C" Size battery			
<b>Battery life</b>	SPEED 60 minutes 24 hours 7-31 days	AMB. TEMP. 2 weeks 6 months 24 months	32° F 1 week 4 months 16 months	-5° F 1 week 3 months 12 months
<b>Mounting</b>	No additional standoffs required			
<b>Approvals</b>	UL CERTIFIED SAFETY US-CA, UL file number : E49851 Intrinsically safe chart drive for hazardous locations class 1, Group C & D, Temperature code T3C.			
<b>Patent</b>	US patent 4.492.905			
<b>Availability</b>	SONCEBOZ CORPORATION - Ann Arbor, MI Distributors / Service Companies Throughout the US and Canada			

Special requirements upon customer specifications. Right to change without notifications reserved.

<2.0>

**SONCEBOZ Corporation**

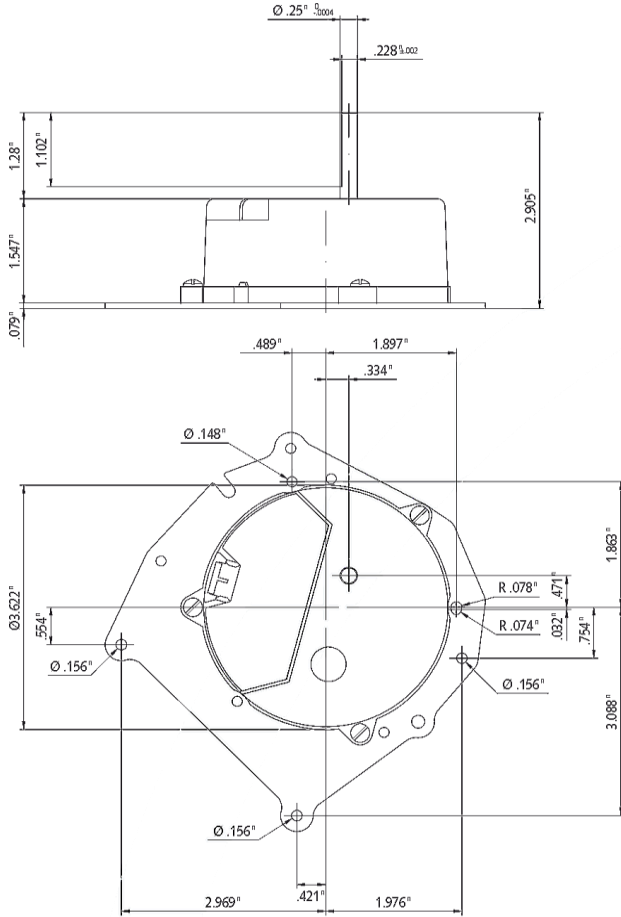
525 Avis Drive, Suite #5  
Ann Arbor, MI 48108  
Phone: +1 (734) 622-0330  
Toll Free: +1 (800) 766-824  
Fax: +1 (734) 622-0420  
customerserviceusa@sonceboz.com  
www.sonceboz.com



► Dimensions

Drawing not to scale. All dimensions in inches.

• A - Universal mounting plate



► Chart hubs are available

"Contact face" clamps without twisting or distorting chart paper. Four starter threads results in fast tight clamping

Part N° C1081 G004  
Foxboro-style  
Push-pull chart hub

Part N° 725 A032  
Chart hub

Part N° 725 P696  
Chart nut



Part N° 725 G224  
Chart nut

Part N° 625 G070  
Chart nut w/chain

Part N° 725 G198  
Chart hub

Part N° 725 G190  
Clip-down chart hub

Special requirements upon customer specifications. Right to change without notifications reserved.

<2.0>

**SONCEBOZ Corporation**

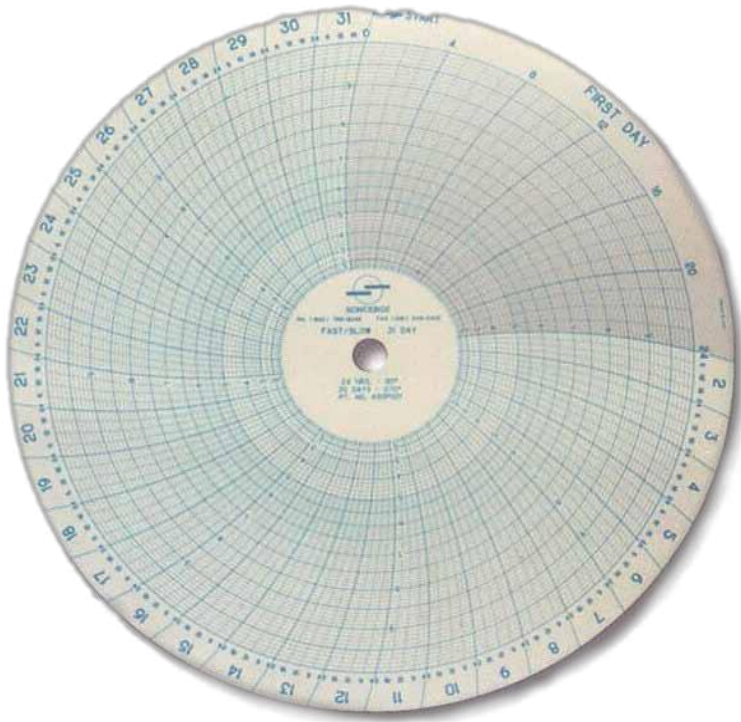
525 Avis Drive, Suite #5  
Ann Arbor, MI 48108  
Phone: +1 (734) 622-0330  
Toll Free: +1 (800) 766-824  
Fax: +1 (734) 622-0420  
customerserviceusa@sonceboz.com  
www.sonceboz.com



## ▶ Chart paper available

**Sonceboz Fast/Slow Chart Paper**

Exclusively designed for type 830 chart drive



## Chart paper available

Part N° Linear 0-100	Description Rotation	Part N° Square Root L10
830P010	7 days 6 hr - 90° 6 days/18 hr -- 270°	
830P011	8 days 6 hr - 90° 7 days/18 hr - 270°	830P017
830P012	7 days 24 hr - 90° 6 days -270°	830P018
830P013	8 days 6 hr - 90° 6 days/18 hr - 270°	830P019
830P014	7 days 6 hr - 90° 6 days/18 hr - 270°	
830P015	31 days 24 hr - 90° 30 days -- 270°	

Special requirements upon customer specifications. Right to change without notifications reserved.

&lt;2.0&gt;

**SONCEBOZ Corporation**

525 Avis Drive, Suite #5

Ann Arbor, MI 48108

Phone: +1 (734) 622-0330

Toll Free: +1 (800) 766-824

Fax: +1 (734) 622-0420

customerserviceusa@sonceboz.com

www.sonceboz.com

