



▶ Industrial LoadSense

8863R1000

- Size NEMA 34..... 2.4"
- Torque..... Up to 2,8 Nm
- Communication..... CANopen, Step/Direction



This “all in one” brushless DC electrical direct drive with integrated intelligent controller is able to perform the most challenging positioning tasks. This high torque density motor is available with several communication options, perfectly suited for decentralized applications.

▶ Features & benefits

Features

- Closed Loop control
- Maximum efficiency / optimal power consumption
- Low noise and low vibrations design
- IP65/67 Protection
- 40° to 85°C operating temperature
- Starter kit for easy start-up

Benefits

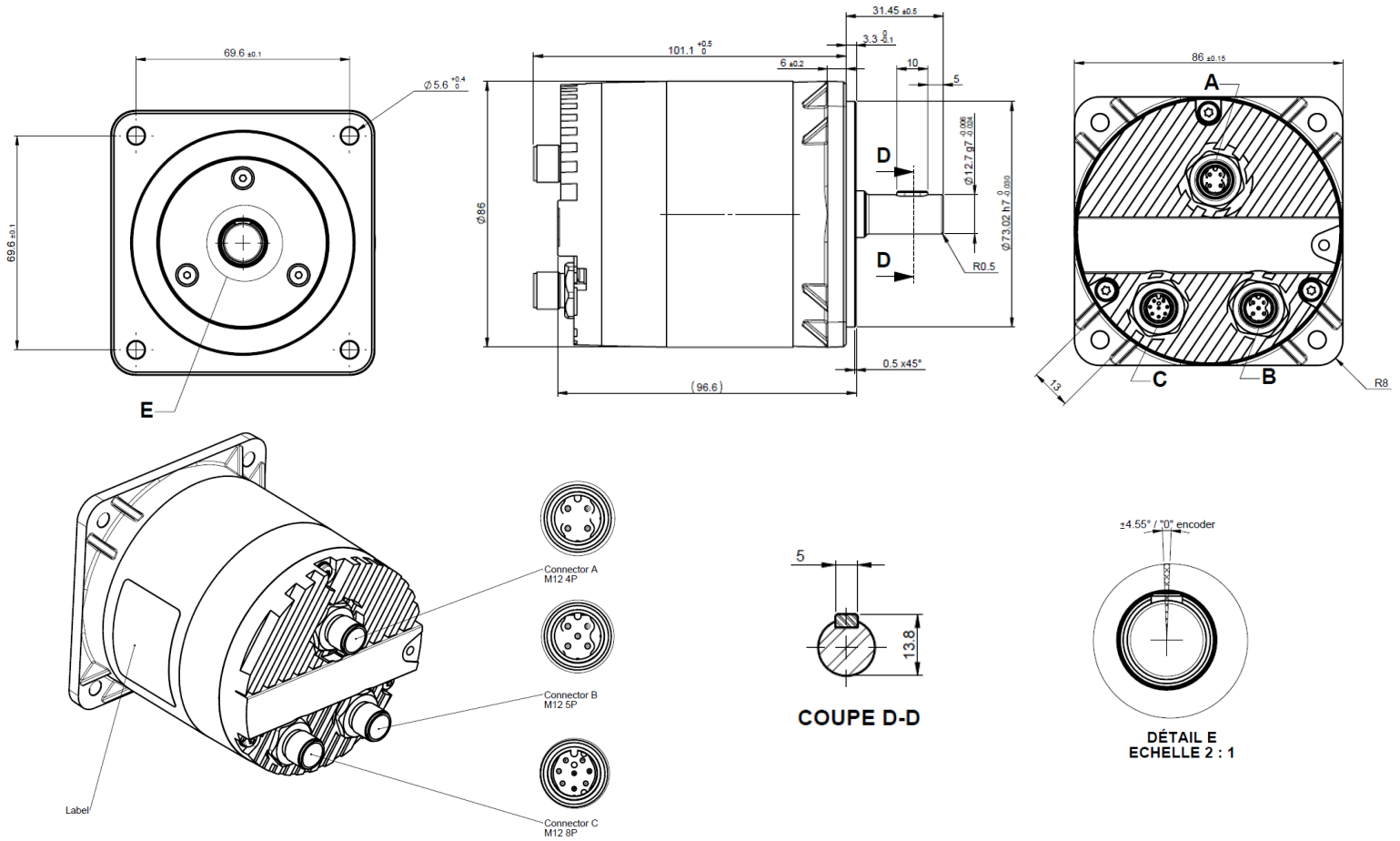
- No additional driver and control system required
- Suitable for: in- and outdoor environment intermittent movements
- Easy to integrate thanks to compact design
- Flexibility for embedded customized software
- Gearless - long service life

▶ Technical data

Power supply (+/- 10%)	24 ... 48 VDC
Peak current consumption	18 A (<200 ms)
Nominal current consumption	8 A max
Maximum mechanical output power	150 W (@48V) / 80W (@24V)
Rotor inertia	1500 gcm ²
Holding torque at standstill	2800 mNm
Weight	1850 g

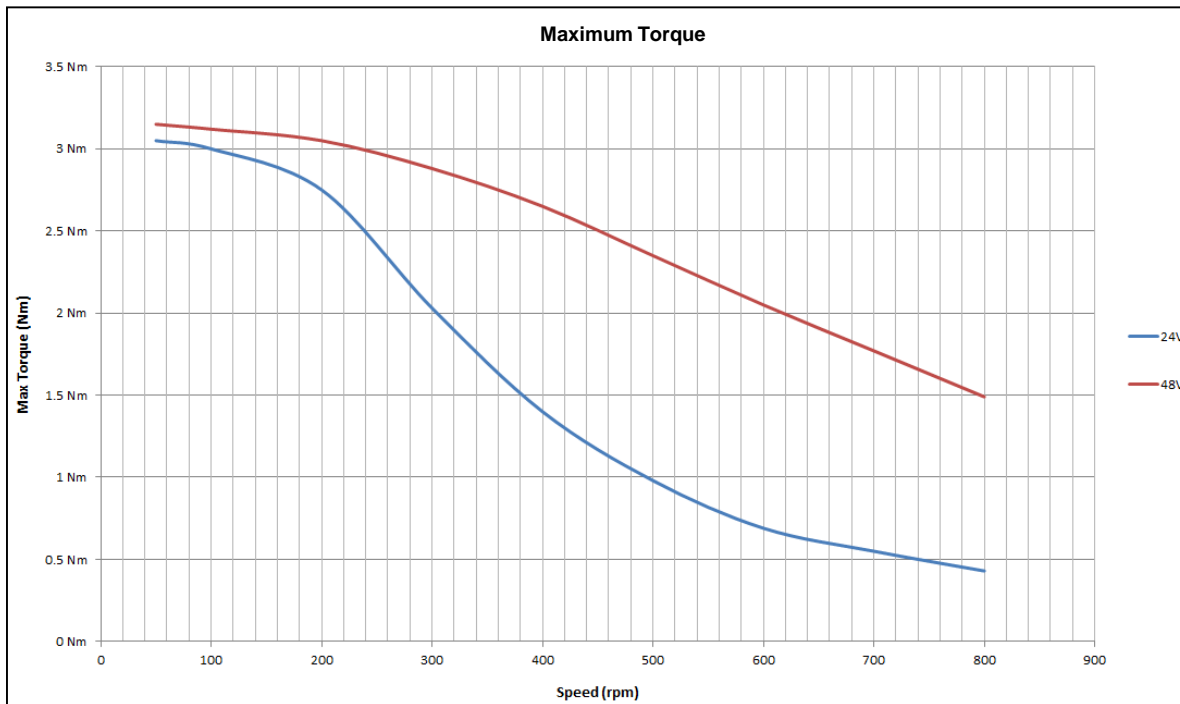
► Dimensions

Drawing not to scale. All dimensions in mm.



► Torque characteristics

Indicative Values. Not Contractual



Maximum performances opposite are not for constant use. In such conditions, the motor might overheat (depending on cooling capabilities of the global system) and shut-down itself

Special requirements upon customer specifications. Right to change reserved.

<1.0>

SONCEBOZ SA

2605 Sonceboz – Switzerland

Tel. +41(0) 32 488 11 11

Fax +41(0) 32 488 11 00

info@sonceboz.com - www.sonceboz.com



MOTOR FUNCTIONALITIES

		CANopen				Step/Dir					
GENERAL	Bootloader	Enables specific functionalities (specific sw on demand) or to update the standard one, following Sonceboz's standard software improvements									
	Save Parameters	Enables to save a specific configuration in a non-volatile memory									
	Restore Defaults Parameters	Enables to restore Sonceboz defaults parameters (end of production parameters)									
	Motor Ids	Gives information about the motor (name, revision, ...)									
	PDOs Mapping	Enables to put any data from the object dictionary on the Process Data Objects for faster real time use of the motor									
	Errors	Gives a feedback on the errors detected by the motor (internal and/or from application)									
	Motor Blocked Protection (time)	Enables to activate/configure a maximum time where the motor is blocked									
	Control / Status	Used for control and feedback of the motor (State Machine)									
	Mode of Operations	Enables to select one of the implemented mode of operation (Profile Position, Profile Velocity, Homing)									
	Position Regulators	Enables to change dynamic/behaviour of the motor (notably at standstill)									
	Temperature Measure	Gives a feedback on the internal temperature of the motor									
	Torque Rough Estimation	Gives a rough estimation of the resistive torque apply on the motor (up to +60% error at high torques)									
	OverTorque Protection	Enables to activate/configure a maximum torque applied by the motor (Upon Request for correct implementation)									
	Enable/Stop Logic Selection	Enables to choose activation logic of stop input (active high or active low)									
Output Frequency(Speed) Selection	Enables to change the frequency of the output giving indication on the current speed										
		Profile Position		Profile Velocity		Homing		Step/Dir			
SPECIFIC	Max Speed	Enables to limit the speed during a positioning movement to a predefined value		Speed Hyst. Validity	Enables to configure the window (value and time of confirmation) of the speed confirmation flag activation		Homing Method	µsteps selection	Enables to select the µsteps control of the motor (full step, 1/2 step, 1/4 step, 1/8 step, 1/16 step)		
	Acc / Dec	Enables to parameter maximum acceleration / deceleration of a positioning movement to a predefined value		Acc / Dec	Enables to parameter maximum acceleration / deceleration at start and stop of a movement to a predefined value			OverSpeed Protection	Enables to activate/configure a maximum authorized frequency of the command input		
	Command Factors	Enables to change the unit of the Control input/command (by default in motor full steps)		Command Factors	Enables to change the unit of the control input/command (by default in rpm)		Speeds	Enables to parameter the speed when searching for a switch and the speed when searching for an index		Steps error Hyst.	Enables to activate/configure a real time protection against wrong positioning (max and min numbers of steps)
								Correction	Enables to activate an option to authorize the motor to go faster than the command if late (regarding commanded position)		

Special requirements upon customer specifications. Right to change reserved.

<1.0>

SONCEBOZ SA

2605 Sonceboz – Switzerland

Tel. +41(0) 32 488 11 11

Fax +41(0) 32 488 11 00

info@sonceboz.com - www.sonceboz.com



PIN ASSIGNMENTS

- Connector A : Power supply

Pin	Signal definition	Value
1	Power supply	24...48VDC
2	GND	-
3	GND	-
4	Power supply	24..48VDC

- Connector B : Communication

Pin	Signal definition	Value
1	GND	-
2	Not used	-
3	GND	-
4	CAN High	-
5	CAN low	-

- Connector C: Input / Output

Pin	Signal definition		Value	
	CANopen configuration	Step/Dir configuration	CANopen configuration	Step/Dir configuration
1	Not Used		Not Used	
2	Logical Input Stop		GND : Motor runs 5..48V : Motor stopped	
3	Output Frequency (Speed Information)		-	
4	Set Limit CW	Logical Input Step	GND: Limit not reached 5..48V: Limit reached	: 1 μ step
5	Set Limit CCW	Logical Input Direction	GND: Limit not reached 5..48V: Limit reached	GND: CCW 5..48V: CW
6	Power Supply for I/O		5..48V	
7	GND for I/O		-	
8	Logical Output Alarm		GND: No alarm 5..48V: Alarm active	

INPUTS

- Logical supply:**

Inputs can be powered with a dedicated power supply which can be between 5V and 48V (+/-10%).

- CAN Communication:**

CAN pins can be used without Logical supply.

▶ Working conditions

- **Operating temperature range** -40°C to 85° C

- **Protection class** IP65 and IP67

- **Thermal and voltage protections**

If the motor temperature exceeds 110° C or if the supply voltage comes outside its operating range (<11V or >49V), the driver is automatically switched off. This is intended to protect components from failure due to excessive temperature or under / over voltage.

Thermal hysteresis is ~10° C and voltage hysteresis is ~1 V.

The motor will wait for a “reset” command as specified by CANopen Norm before resuming its actions if the default is not present anymore

Special requirements upon customer specifications. Right to change reserved.

<1.0>

SONCEBOZ SA

2605 Sonceboz – Switzerland

Tel. +41(0) 32 488 11 11

Fax +41(0) 32 488 11 00

info@sonceboz.com - www.sonceboz.com

