

▶ Linear actuators

7220

- Max. Force..... 35 N
- Size..... 39.5 x 39.5 mm
- Max. Travel 22.2 / 635 mm
- Weight 135 g
- Increment/step 0.0254 mm (0.001")

The reliability of the actuator allows to use under extrem conditions where compact dimensions and precision are required.

▶ Technical data

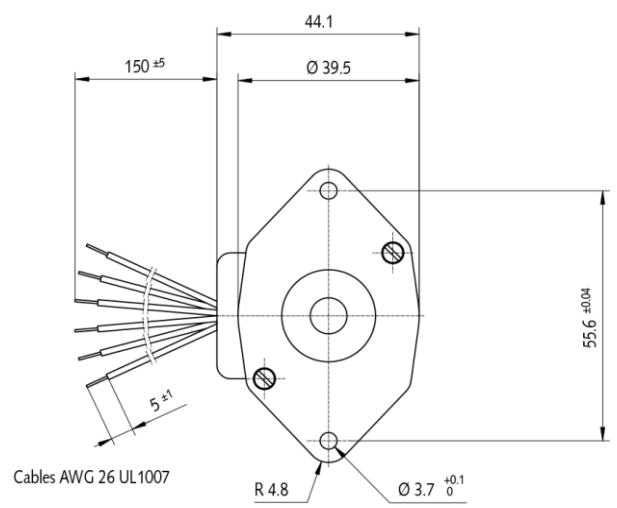
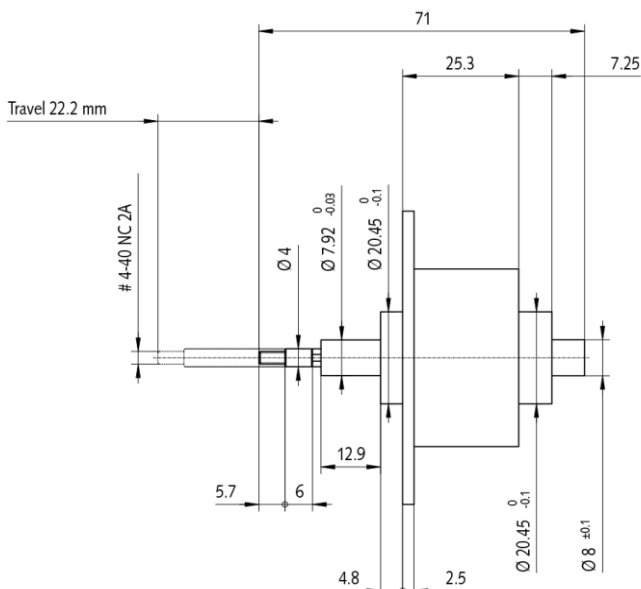
	Part N°	Phase resistance [Ω]	Phase inductance [mH]	Phase current [A]	Max. force [N]	Nominal power [W]
Unipolar	7220-4-10	10	6.5	0.5	35	5

Max. travel length with antirotational device: 22.2 mm Max. travel length without antirotational device: 63.5 mm

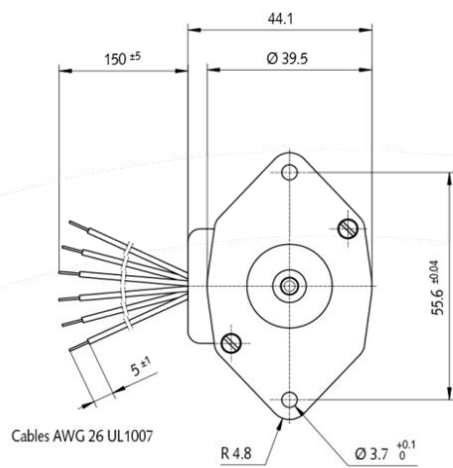
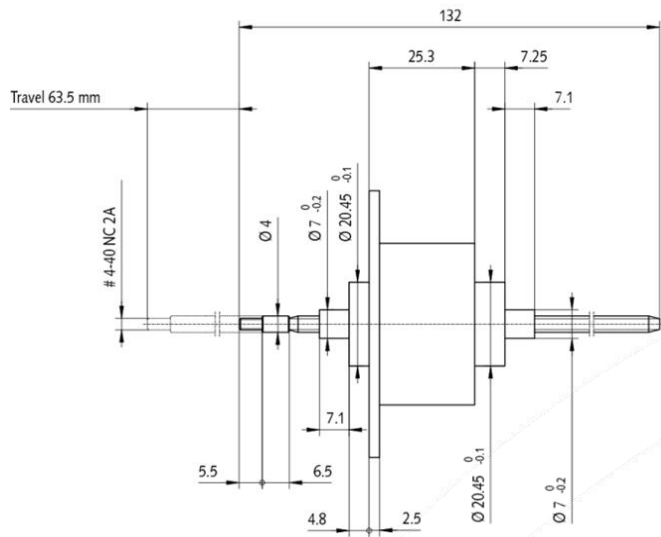
▶ Dimensions

Drawing not to scale. All dimensions in mm.

- With antirotational device (captive shaft)

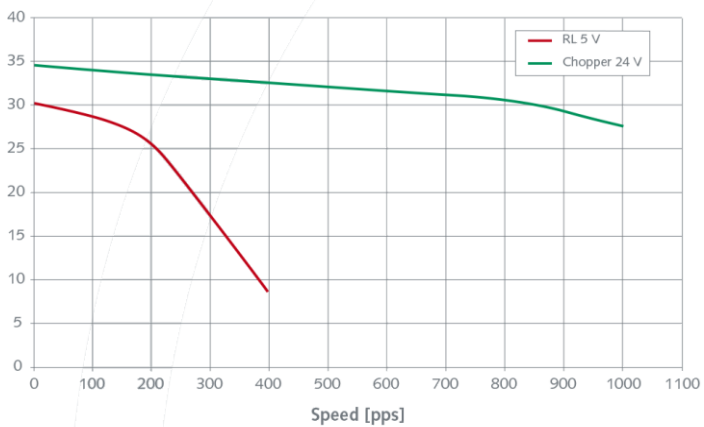


• Without antirotational device (non captive shaft)



► Dynamic characteristics

• 7220-4-10



[pps] = pulses per second

► Working conditions

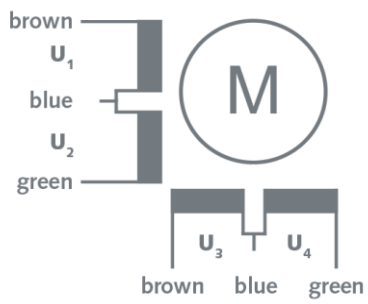
Insulation Class	E 120° C
Protection	DIN 40050
	IP 30
Test Voltage	500 VAC

Special requirements upon customer specifications. Right to change reserved.

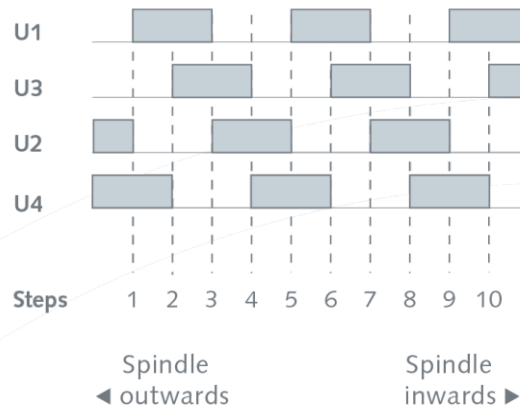
<2.0>

► Electrical Interface and Step sequence

• Connection



• Steps sequence



Special requirements upon customer specifications. Right to change reserved.

<2.0>