

## ▶ Smart BLDC Actuator

**5849**

- Peak Dynamic Torque..... 22 Nm
- Continuous Holding Torque..... 10.8 Nm
- Weight ..... 1.1 kg
- Communication..... CAN

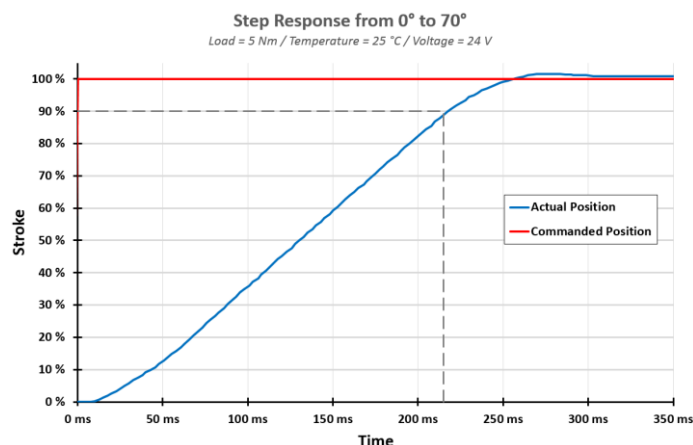
The Smart BLDC actuator family, with more than 1 million parts on the market, became a Worldwide standard for Euro 6 / Tier 4 Heavy duty trucks and Off Highway applications. This 5849 features a 3<sup>rd</sup> gear stage allowing very high peak and continuous torque and an improved resolution. It is particularly adapted for very large Exhaust Back Pressure Valves or Direct Drive applications. Compared to 5846 it provides 2 times more peak torque with only 8mm height increase.

### ▶ Features & benefits

- Brushless DC motor with integrated CAN bus control electronics
- Flexible and customizable Software including diagnostic and dedicated features
- Integrated coolant canal
- Output shaft absolute position sensor as option
- Suitable for most valve sizes thanks to its wide torque range.
- Proven exceptional reliability and service life in commercial and agricultural diesel harsh conditions
- Accurate positioning for finer flow control

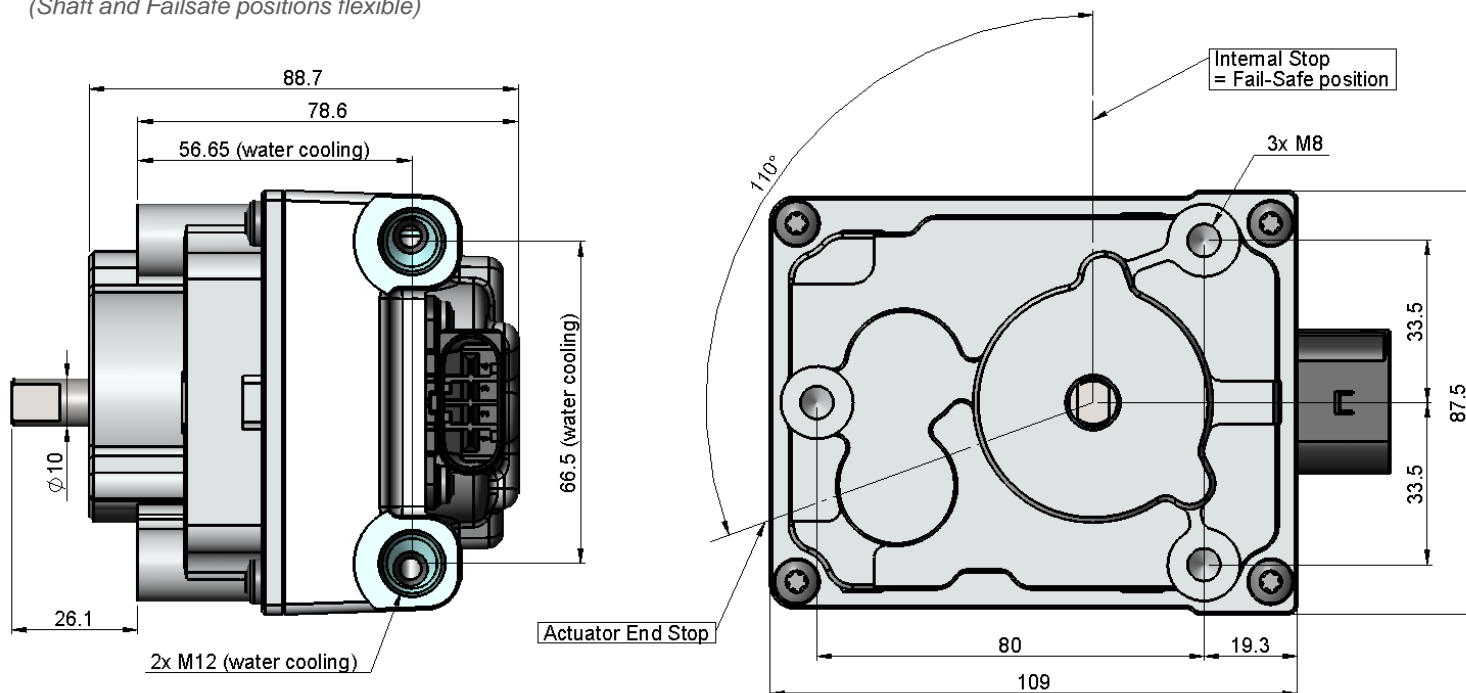
### ▶ Performance and Endurance

Resolution	0.13	°
Span	110	°
Speed	55	RPM (5Nm load @ 24V)
Response Time	215	ms @ T <sub>90</sub> to a 70° step
Gear ratio	1:92	3 stages
Minimum Lifetime	10 M	cycles @ 5Nm over T°C



## ► Dimensions

Drawing not to scale. All dimensions in mm.  
(Shaft and Failsafe positions flexible)



## ► Electrical and Mechanical Interface

<b>Operating Voltage</b>	6 to 36V with Integrated over and reverse-voltage protection according to ISO 16750-2
<b>Integrated Connector</b>	4 Pins: Kostal SLK2.8
<b>Wire Harness alternatives</b>	4 to 8 Pins, Tyco, Deutsch, Kostal...
<b>Customer Specific Communication</b>	Standard: CAN (Baud Rate: 250 or 500 kbits/s, automatic detection possible) Option: PWM, SENT, ANALOG, EASYPLUG
<b>Failsafe</b>	Clockwise, counter clockwise and intermediate stroke positions, various torque available
<b>Output shaft</b>	2 flats, knurls or M8 available and other design possible

## ► Operating conditions

<b>Operating Temp. Range</b>	-40°C / +160°C (with water-cooling)
<b>Vibration Level</b>	Up to 26.5gRMS – Bandwidth 20-2000Hz
<b>Protection Class and Waterproof</b>	IP 6K9K (DIN 40050-9)
<b>ROHS (Lead Free) and IMDS</b>	Compliant
<b>EMC</b>	OEM standard compliance

Special requirements upon customer specifications. Right to change reserved.

<3.0>

### SONCEBOZ SA

2605 Sonceboz – Switzerland

Tel. +41(0) 32 488 11 11

Fax +41(0) 32 488 11 00

info@sonceboz.com - www.sonceboz.com

