

▶ Smart BLDC Actuator

5846

- Peak Dynamic Torque..... 9.5 Nm
- Continuous Holding Torque..... 5.4 Nm
- Weight 1.0 kg
- Communication..... CAN

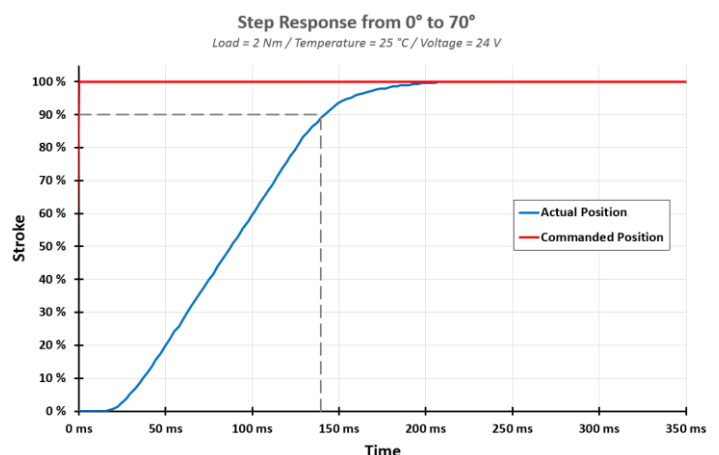
This Smart BLDC actuator, with more than 1 million parts on the market, became a Worldwide standard for Heavy duty trucks and Off Highway applications in Euro 6 / Tier 4 Exhaust Gas Recirculation, Turbo, Air Intake Throttle and Exhaust Back Pressure Valve. The latest electronic generation delivers even higher peak torque with improved positioning regulation, without compromising its outstanding compactness and flexibility for electrical and mechanical interfaces.

▶ Features & benefits

- Brushless DC motor with integrated CAN bus control electronics
- Flexible and customizable Software including diagnostic and dedicated features
- Integrated coolant canal
- Output shaft absolute position sensor as option
- Gearless actuator design available
- Suitable for most valve sizes thanks to its wide torque range.
- Proven exceptional reliability and service life in commercial and agricultural diesel harsh conditions
- Accurate positioning for finer flow control

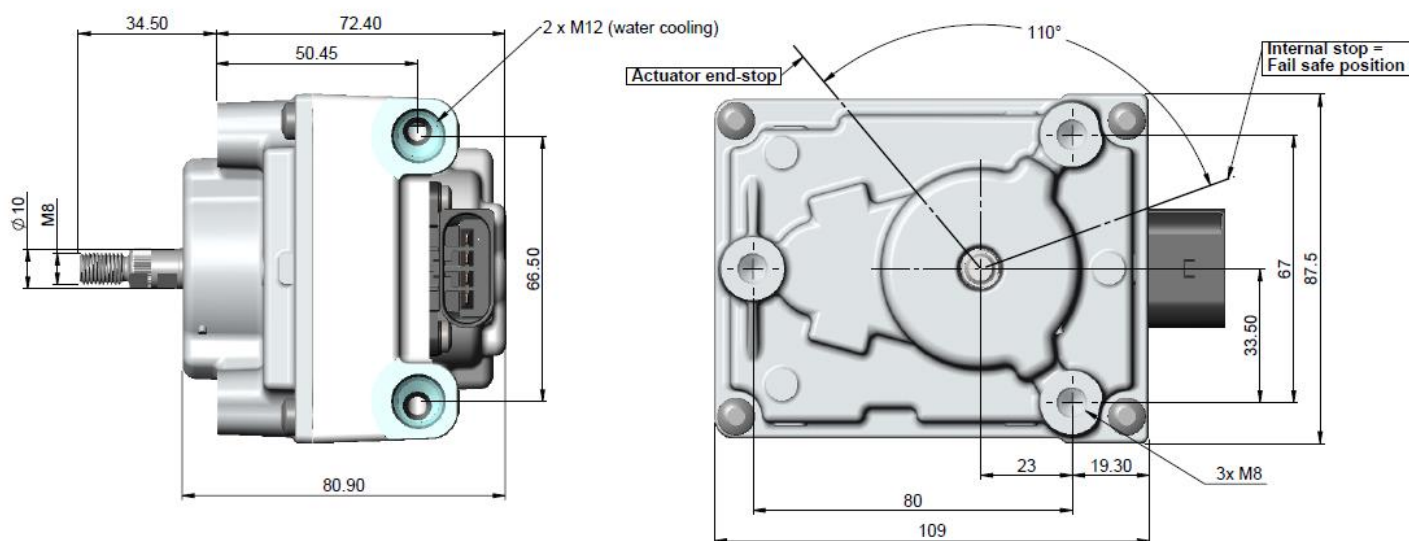
▶ Performance and Endurance

Resolution	0.24	°
Span	110	°
Speed	92	RPM (2Nm load @ 24V)
Response Time	140	ms @ T ₉₀ to a 70° step
Gear ratio	1:49.2	2 stages
Lifetime	10 M	cycles @ 2Nm over T°C



► Dimensions

Drawing not to scale. All dimensions in mm.
(Shaft and Failsafe positions flexible)



► Electrical and Mechanical Interface

Operating Voltage	6 to 36V with Integrated over and reverse-voltage protection according to ISO 16750-2
Integrated Connector	4 Pins: Kostal SLK2.8
Wire Harness alternatives	4 to 8 Pins, Tyco, Deutsch, Kostal...
Customer Specific Communication	Standard: CAN (Baud Rate: 250 or 500 kbits/s, automatic detection possible) Option: PWM, SENT, ANALOG, EASYPLUG
Failsafe	Clockwise, counter clockwise and intermediate stroke positions, various torque available
Output shaft	2 flats, knurls or M8 available and other design possible

► Operating conditions

Operating Temp. Range	-40°C / +160°C (with water-cooling)
Vibration Level	Up to 26.5gRMS – Bandwidth 20-2000Hz
Protection Class and Waterproof	IP 6K9K (DIN 40050-9)
ROHS (Lead Free) and IMDS	Compliant
EMC	OEM standard compliance

Special requirements upon customer specifications. Right to change reserved.

<3.0>

SONCEBOZ SA

2605 Sonceboz – Switzerland

Tel. +41(0) 32 488 11 11

Fax +41(0) 32 488 11 00

info@sonceboz.com - www.sonceboz.com

