



▶ Smart BLDC Actuator

5843

- Peak Dynamic Torque..... 7 Nm
- Continuous Holding Torque..... 2.9 Nm
- Weight 0.7 kg
- Communication..... CAN

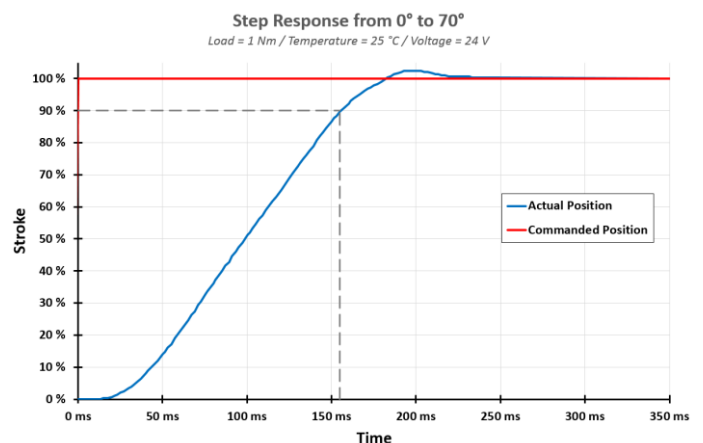
The Smart BLDC actuator family, with more than 1 million parts on the market, became a Worldwide standard for Euro 6 Heavy duty trucks / Tier 4 and Stage 5 Off Highway applications. This 5843 features a plastic motor housing allowing to optimize size, weight and cost. It is particularly adapted for applications like Air Intake Throttle, EGR or electrified Turbo applications.

▶ Features & benefits

- Brushless DC motor with integrated CAN bus control electronics
- Flexible and customizable Software including diagnostic and dedicated features
- Integrated coolant canal
- Output shaft absolute position sensor as option
- Gearless actuator design available for direct integrated applications
- Proven exceptional reliability and service life in commercial and agricultural diesel harsh conditions
- Accurate positioning for finer flow control

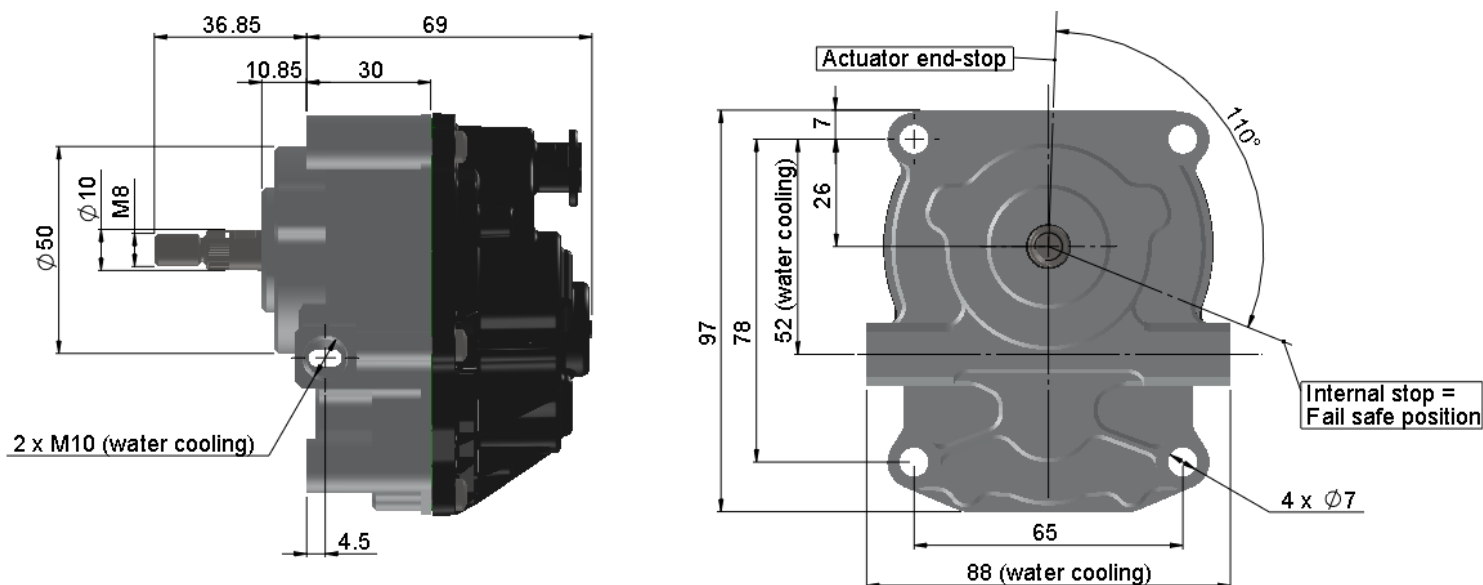
▶ Performance and Endurance

Resolution	0.24	°
Span	104	°
Speed	84	RPM (1Nm load @ 24V)
Response Time	155	ms @ T ₉₀ to a 70° step
Gear ratio	1:49.2	2 stages
Lifetime	10 M	cycles @ 1Nm over T°C



► Dimensions

Drawing not to scale. All dimensions in mm.
(Shaft and Failsafe positions flexible)



► Electrical and Mechanical Interface

Operating Voltage	6 to 36V with Integrated over and reverse-voltage protection according to ISO 16750-2
Wire Harness alternatives	4 to 8 Pins, Tyco, Deutsch, Kostal...
Integrated Connector (as option)	5 Pins: Kostal SLK2.8
Customer Specific Communication	Standard: CAN (Baud Rate: 250 or 500 kbits/s, automatic detection possible) Option: PWM, SENT, ANALOG, EASYPLUG
Failsafe (as option)	Clockwise or counter clockwise, various torque available
Output shaft	2 flats, knurls or M8 available and other design possible

► Operating conditions

Operating Temp. Range	-40°C / +150°C (with water-cooling)
Vibration Level	Up to 26.5gRMS – Bandwidth 20-2000Hz
Protection Class and Waterproof	IP 6K9K (DIN 40050-9)
ROHS (Lead Free) and IMDS	Compliant
EMC	OEM standard compliance

Special requirements upon customer specifications. Right to change reserved.

<3.0>

SONCEBOZ SA

2605 Sonceboz – Switzerland

Tel. +41(0) 32 488 11 11

Fax +41(0) 32 488 11 00

info@sonceboz.com - www.sonceboz.com

