

▶ Brushless – DC Motors

5642

- Peak torque..... 0.8 Nm
- Max. Current..... 40 A
- Weight..... 650g
- Dimensions..... Ø 42 mm
H 87.5 mm

Compact, and high torque density are the main features of this BLDC motor. It is suitable for high T°C and high vibration applications (automotive heavy duty harsh environments) and it integrates a position sensor.

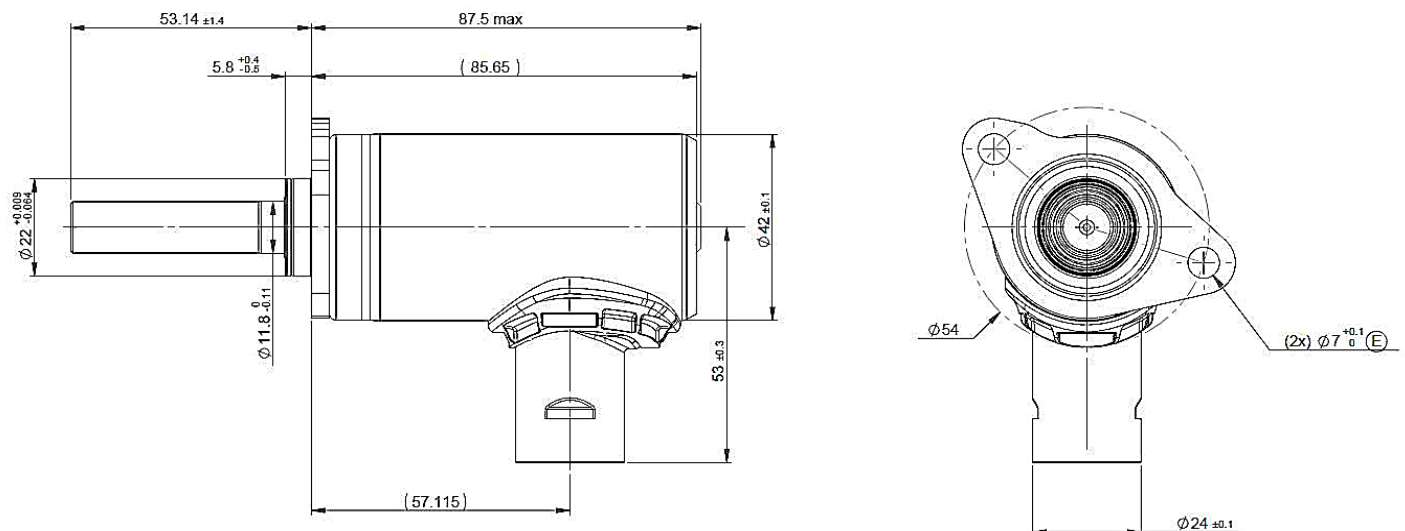
▶ Technical data

Mass	0.650	kg	Detent torque	0-85	mNm
Phase Number	3-Δ	-	Motor constant	78	mNm/W ^{1/2}
Nominal Voltage	12	V	Torque constant peak	20	mNm/A
Phase Resistance	65	m Ω	Continuous stall torque	300	mNm
Phase Inductance	31	μH	Max static torque	800	mNm
Steps per revolution	30	-	No load speed	5500	rpm
Tightness	IP67 IP6K9K	-	Rotor Inertia	12	kg.mm ²

Nota: values at ambient temperature

▶ Dimensions

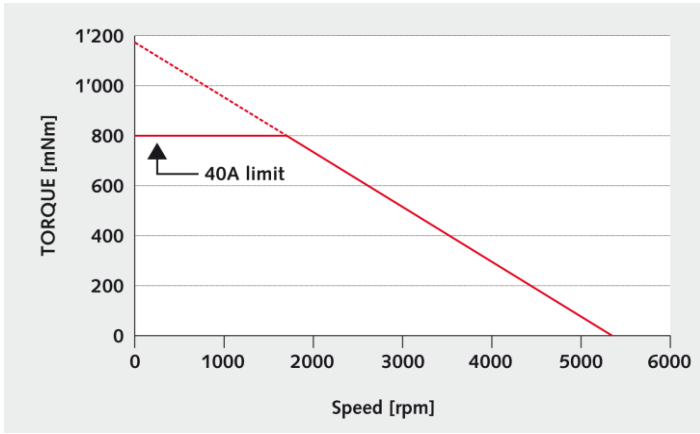
Drawing not to scale. All dimensions in mm.



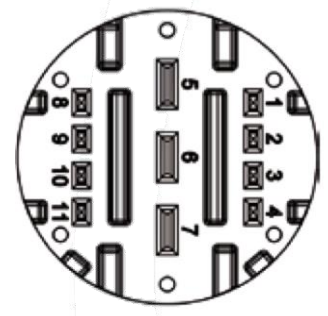
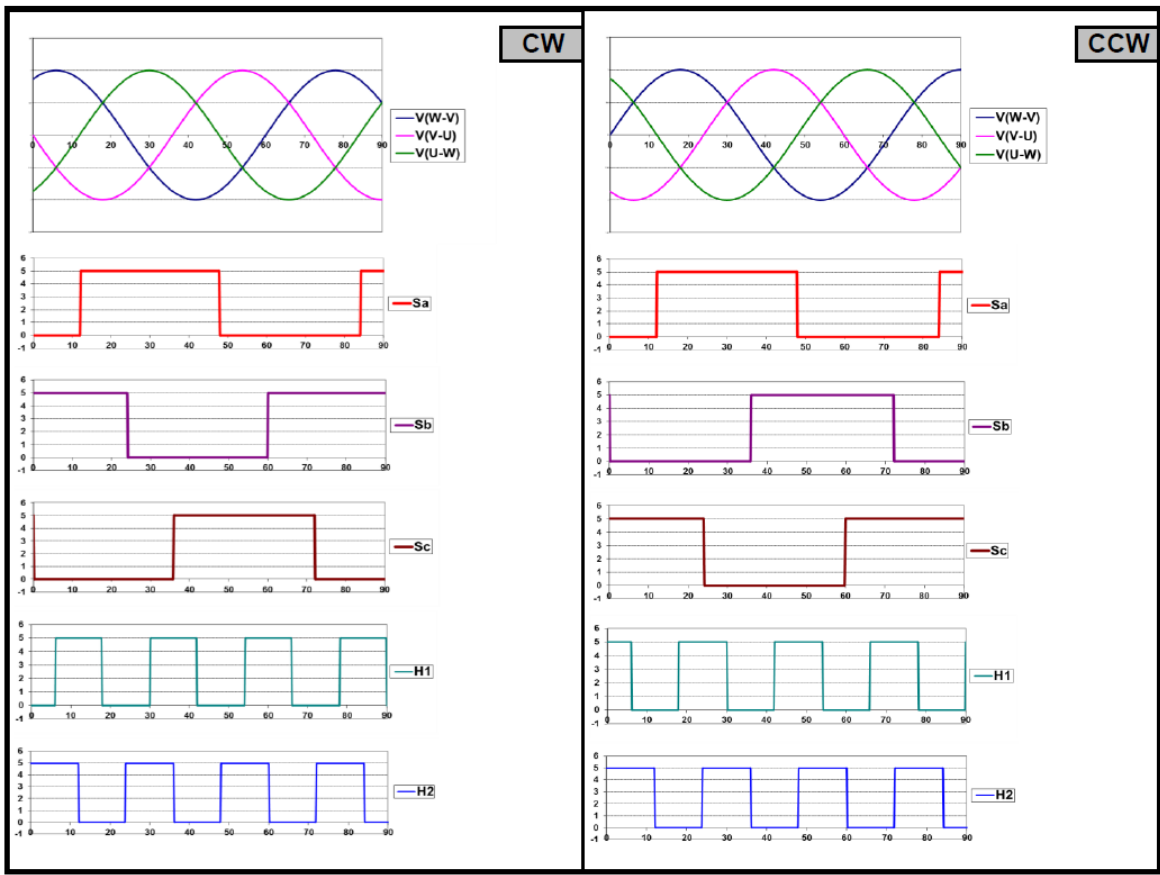
On demand: Output shaft design adaptation (diameter, toothing)

On demand: Different Front Flange orientations

► Dynamic characteristics



► Electrical Interface and commutation sequence



PIN OUT	
PIN	CONFIGURATION
1	FREE
2	SB
3	H1
4	SC
5	W
6	V
7	U
8	H2
9	SA
10	GND
11	SUPPLY

► Operating Conditions

Temperature range -40°C/140°C
 Vibration level..... Up to 15g – bandwidth 0-1600Hz

*Nota: Overall specifications depend on sensor options and driving duty cycles.
 Special requirements upon customer specifications. Right to change without notifications reserved* <3.0>

SONCEBOZ SA
 2605 Sonceboz – Switzerland
 Tel. +41(0) 32 488 11 11
 Fax +41(0) 32 488 11 00
 info@sonceboz.com - www.sonceboz.com

