



## ▶ Compact Power BLDC CPM90

**5922 – 24 V**

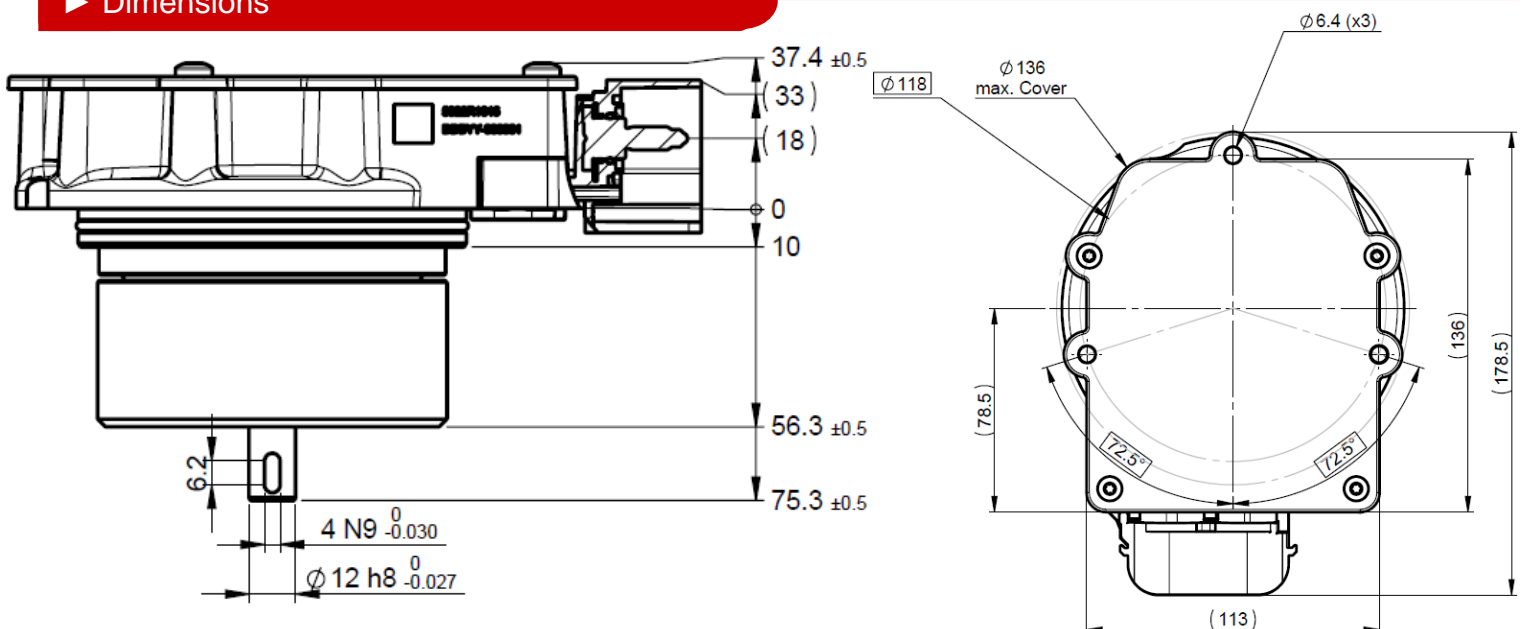
- Peak power..... 1.6 kW
- Max. Torque..... up to 5 Nm
- Max. speed..... up to 5000 rpm
- Communication..... CAN
- Weight..... 2.6 kg

The compact power BLDC CPM90 comprises of a brushless, permanent-magnet synchro-motor as well as a fully integrated control unit. It is exhibiting a maximum efficiency -over 90%- for all low voltage applications.

### ▶ Features & Benefits

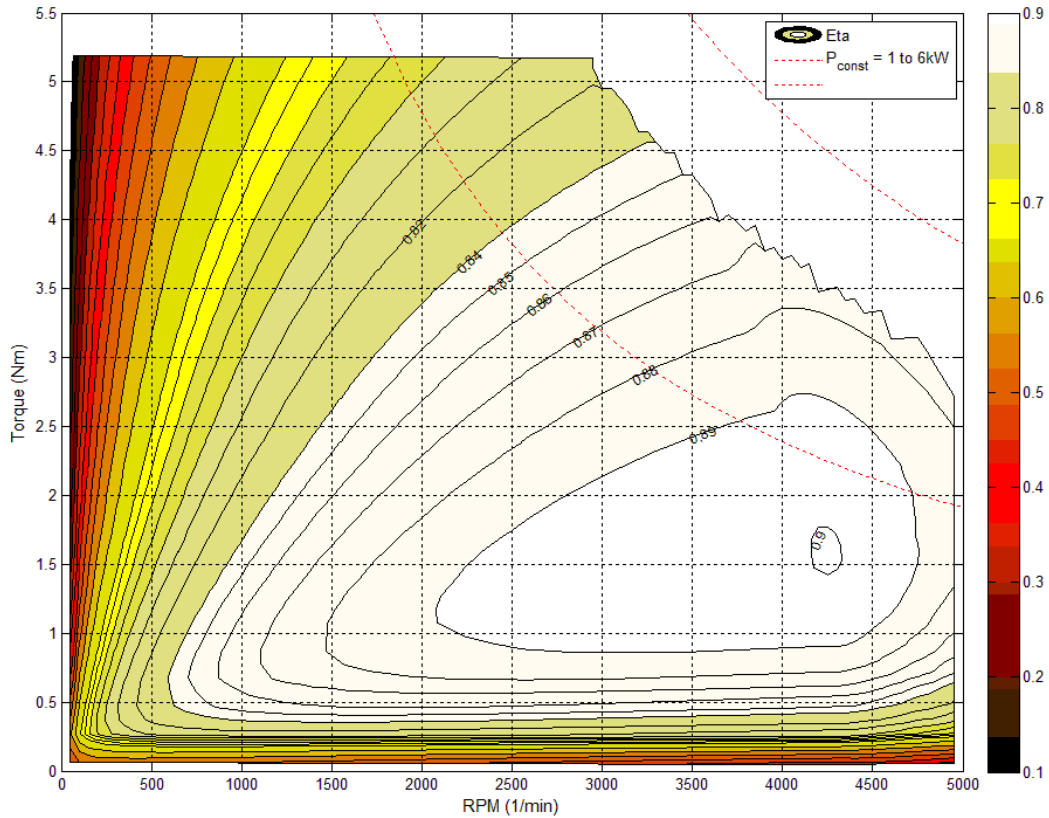
- Brushless DC motor with integrated CAN bus control electronics
- Torque up to 5 Nm peak
- Supply voltage range between 18V and 32V
- Protection index up to IP6k9k after integration to customer's housing
- Operating temperature from -40°C to 85°C
- Integrated connector
- Outstanding compactness
- Torque control/Speed control
- Power/Battery current control
- Energy recuperation / 4 quadrant operation
- Field oriented control
- Integrated failure diagnostics

### ▶ Dimensions



► Technical data

Torque vs. Speed and Efficiency Map



Motor's Reference	<b>5922R1015</b>	
Max Torque	5	Nm
Max speed	5000	rpm

► Electrical and Mechanical Interface

Integrated signal connector	Deutsch DT04-6P, Mating connector DT06-6S
Signal connector pinout	1=CAN Shield, 2=CAN low, 3=Wake-up, 4=CAN high, 5=Enable GND, 6=Enable signal
Screw terminals for power supply	2x M6 bolts, available length of thread 10 mm
Communication	CAN 2.0, Baudrate 250 kbit/s, 500 kbit/s, 1 Mbit/s
Over and under voltage protection	Integrated, up to 36 V
Reverse polarity protection	Integrated, up to -32 V
Maximum battery current	120 A
Quiescent current (Enable "Low")	1 < mA
Output shaft	12h8 with Feather key

► Operating conditions

Operating Temp. Range	-40°C / +85°C
Vibration level	5g RMS, further validations upon request
Protection class	Up to IP 6K9K after integration to the customer's housing
ROHS (Lead Free)	Compliant